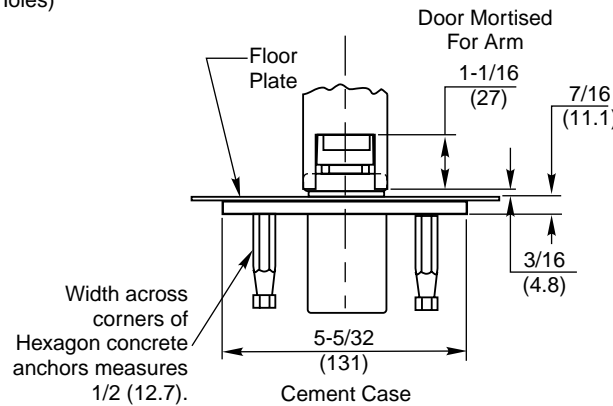
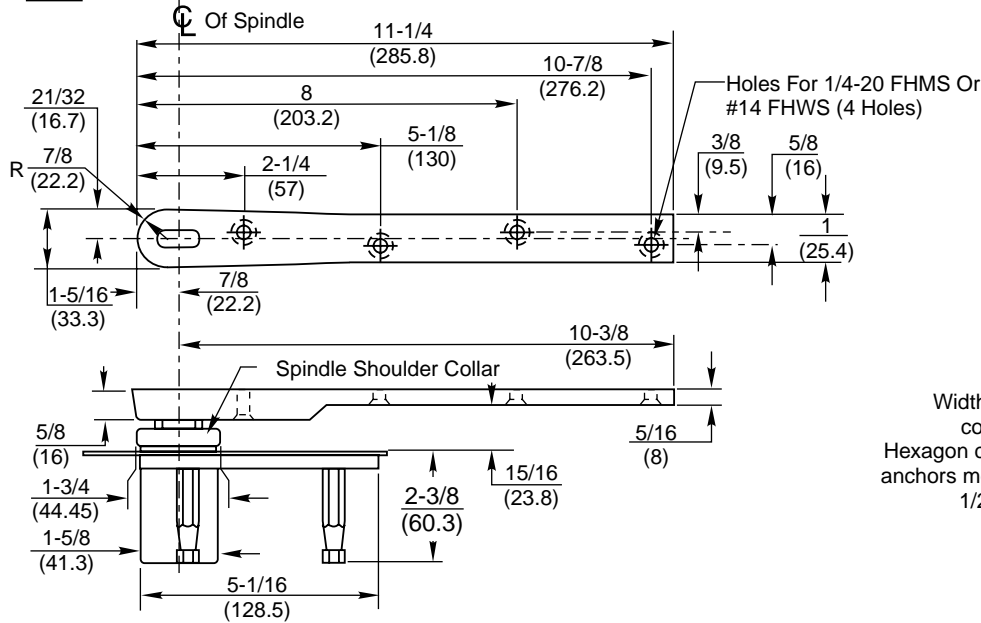
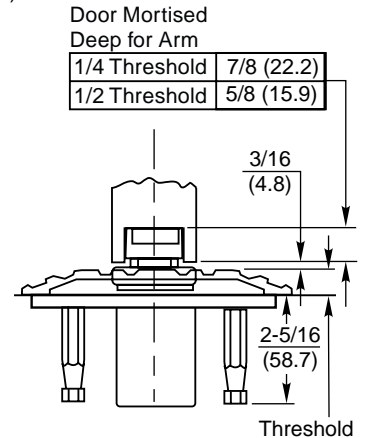


- Notes:**
1. Do not scale drawing.
  2. Dimensions given in inches (mm).
  3. Suitable Reinforcing By Others.
  4. Right Hand Shown.



**With Floor Plate**  
Set cement case 1/16 (1.6) below surface of finished floor



**With Threshold**  
Set Cement Case Flush With Finished Floor

**117-3/4" Pivot Set  
Double Acting - Center Hung**

**RIXSON®**

**ASSA ABLOY**

ASSA ABLOY, the global leader in door opening solutions

TEMPLATE NUMBER

**PS30100**

DATE

**8-07**